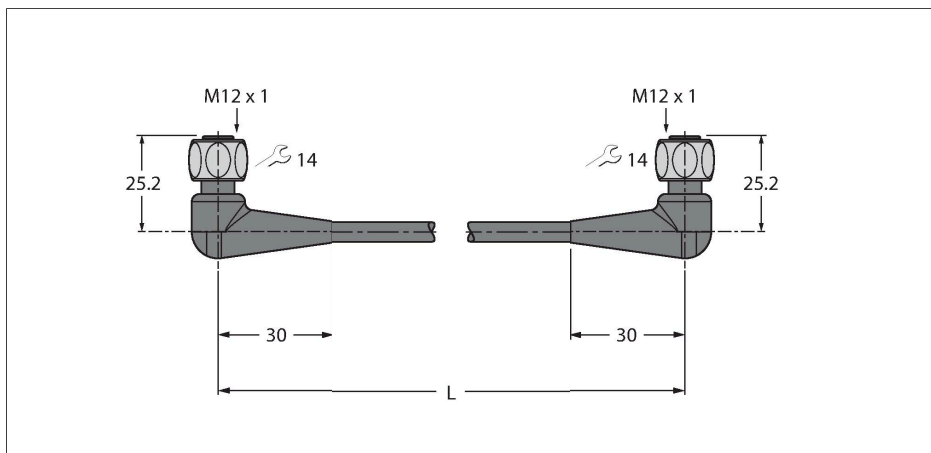


WKH4.4-P7X2-50-WKH4.4-P7X2/TFE

Food & Beverage Hygienic, PVC – Extension Cable



Features

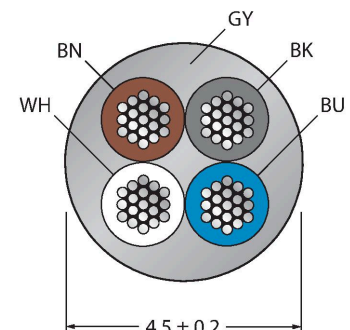


- M12 female connector, angled, 4-pin
- With 2-color LED (PNP, yellow, green)
- Stainless steel coupling nut/screw
- M12 female, angled, 4-pin
- Jacket material: PVC
- Jacket color: gray RAL 7040
- Resistant to acids and alkalis
- Resistant to oils and chemicals
- Flame-retardant acc. to DIN EN 60332 1-2, DIN EN 60332 2-2, VDE 0482 332-1-2, VDE 0482 332-2-2
- Approvals: Gost, Ecolab
- RoHS and REACH compliant
- Protection class IP67/IP69K
- Cable length: 50 m

Technical data

| | |
|------------------------------|--|
| Type | WKH4.4-P7X2-50-WKH4.4-P7X2/TFE |
| ID | 100000172 |
| Connector A | Female, M12 × 1, Angled |
| Number of Pins | 4 |
| Contacts | Brass, CuZn, Gold-plated |
| Contact carriers | Plastic, PP, Gray |
| Connector body | Plastic, PP, Transparent |
| Coupling nut/screw | Stainless Steel, V4A |
| Seal | Plastic, FPM/FKM |
| Tightening torque (range) | 0.8 ... 1 Nm (observe max. torque of mating connector!) |
| Display operating voltage | LED, Green |
| Display switch state | LED, Yellow |
| Mechanical lifespan | > 100 Mating cycles |
| Pollution degree | 3 |
| Protection class | IP67, IP69K, Only in screwed condition |
| Connector B | Female, M12 × 1, Angled |
| Number of pins | 4 |
| Contacts | Brass, CuZn, Gold-plated |
| Contact carriers | Plastic, PP, Gray |
| Connector body | Plastic, PP, Transparent |
| Coupling nut/retaining screw | Stainless Steel, V4A |
| Seal | Plastic, FPM/FKM |
| Operating voltage | LED, Green |
| Display switch state | LED, Yellow |
| Mechanical life | > 100 Mating cycles |
| Pollution degree | 3 |

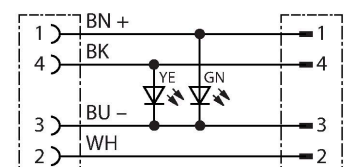
Cable Cross-Section



Contact assignment



Circuit Diagram



Technical data

| | |
|---|----------------------------------|
| Protection class | IP67, Only when screwed together |
| Cable | |
| Cable diameter | Ø 4.5 mm ±0.20 |
| Cable length | 50 m |
| Cable jacket | PVC, Gray |
| Core insulation | PVC |
| Core cross-section | 4 x 0.34 mm ² |
| Arrangement of strands | 19 x 0.15 mm |
| Core colors | BN, WH, BU, BK |
| Electrical properties at +20 °C | |
| Rated voltage | 30 V |
| Test voltage | 1500 V |
| Current | 4 A |
| Insulation resistance | ≥ 10 ⁸ Ω |
| Mechanical and chemical properties | |
| Bending radius (stationary installation) | ≥ 3 x Ø |
| Bending radius (flexible use) | ≥ 10 x Ø |
| Ambient temperature range (stationary) | -25 °C...+80 °C |
| Ambient temperature range (In motion) | 0 °C...+80 °C |

Accessories

| | |
|----------------------|---------|
| TORQUE-WRENCH-SET-AS | 6936170 |
|----------------------|---------|



Torque wrench set; handles with adjustable torque 0.4-1.0 Nm, torque wrench for M8 (SW9), fork wrench for M12 (SW 14)