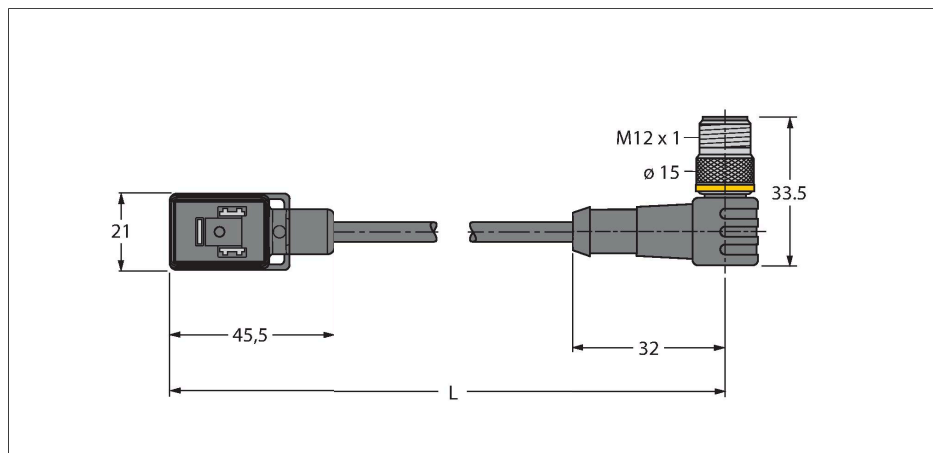


# VBS02-S80E-0.6-WSC5.31T/TXL

## Valve connector B type



### Features

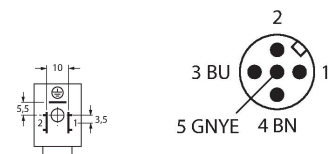


- 2-pin + PE
- Design according to the DIN EN 175301-803
- RoHS-compliant
- Protection class: IP65, IP67, IP68
- Protective component: Transil diode
- M12 male, angled, 2-pin + PE
- Jacket material: PUR
- Jacket color: black
- Suitable for drag chain use
- Resistant to chemicals and oils
- UV and ozone resistance
- Flame retardant
- Free from halogen, silicone, PVC and LABS
- Cable length: 0.6 m

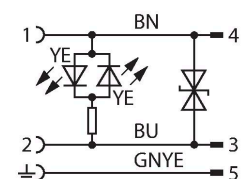
### Technical data

|  |                                 |
|--|---------------------------------|
| Type                                   | VBS02-S80E-0.6-WSC5.31T/TXL     |
| ID                                     | 6606575                         |
| Connector A                            | Valve connector, Design B       |
| Number of Pins                         | 2+PE                            |
| Contacts                               | Metal, CuSn, Silver-plated      |
| Contact carriers                       | Plastic, PA, Black              |
| Connector body                         | Plastic, TPU, Black/Translucent |
| Protective component                   | Transil diode                   |
| Seal                                   | Plastic, TPU                    |
| Display switch state                   | LED, Yellow/Yellow              |
| Mechanical lifespan                    | > 100 Mating cycles             |
| Pollution degree                       | 3                               |
| Protection class                       | IP65, IP67, IP68, (mounted)     |
| Connector B                            | Male, Angled                    |
| Cable diameter                         | Ø 5.2 mm ±0.20                  |
| Cable length                           | 0.6 m                           |
| Cable jacket                           | PUR, Black                      |
| Core insulation                        | PP                              |
| Core cross-section                     | 3 x 0.75 mm <sup>2</sup>        |
| Arrangement of strands                 | 42 x 0.1 mm                     |
| Core colors                            | BN, BU, GNYE                    |
| <b>Electrical properties at +20 °C</b> |                                 |
| Rated voltage                          | 24 V                            |
| Test voltage                           | 2000 V                          |
| Current                                | 4 A                             |
| Insulation resistance                  | > 1 MΩ/km                       |
| Insulation resistance                  | ≥ 10 <sup>8</sup> Ω             |

### Contact assignment



### Circuit Diagram



## Technical data

forward resistance max. 57  $\Omega$ /km

| Mechanical and chemical properties              |  |
|---|--|
| Max. tensile strength (static)                  | $\leq 50 \text{ N/mm}^2$                     |
| Max. tensile strength (dynamic)                 | $\leq 20 \text{ N/mm}^2$                     |
| Bending radius (stationary installation)        | $\geq 5 \times \varnothing$                  |
| Bending radius (flexible use)                   | $\geq 10 \times \varnothing$                 |
| Bending cycles                                  | $\geq 3$ million                             |
| Admissible acceleration                         | max. 5 $\text{m/s}^2$                        |
| Admissible travel path, horizontal              | 5 m (at 5 $\text{m/s}^2$ )                   |
| Admissible travel path, vertical                | 2 m (at 5 $\text{m/s}^2$ )                   |
| Admissible traversing speed                     | 3.3 m/s                                      |
| Torsional stress                                | $\pm 180^\circ/\text{m}$                     |
| Ambient temperature range (stationary)          | -40 $^\circ\text{C}$ ...+80 $^\circ\text{C}$ |
| Ambient temperature range (In motion)           | -30 $^\circ\text{C}$ ...+90 $^\circ\text{C}$ |
| Ambient temperature during drag chain operation | -25 $^\circ\text{C}$ ...+60 $^\circ\text{C}$ |
| Mounting screw                                  | Brass, CuZn, nickel-plated                   |