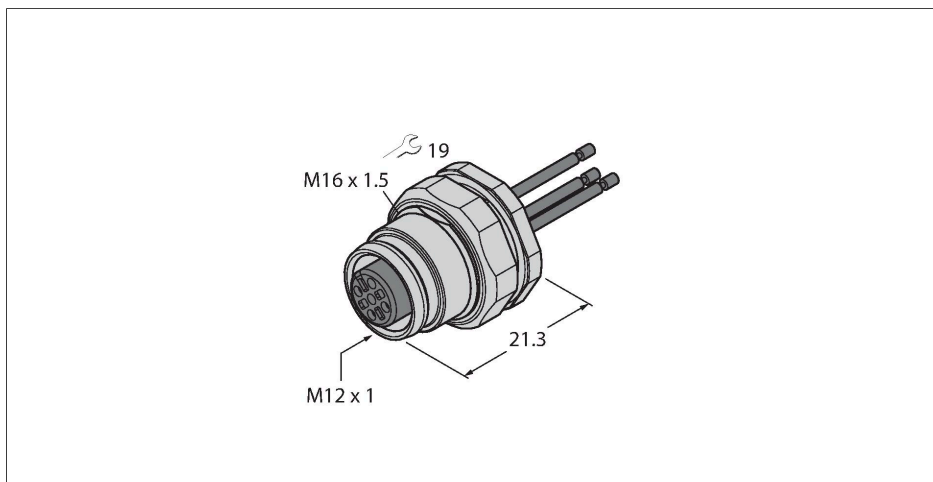


EC-FKFDE8-0.5/16

– female flange with strands, rear-mounted

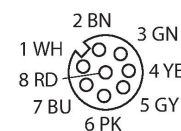


Features



- M12 × 1 female receptacle
- Protection class IP67
- Stainless steel receptacle housing
- Rear-mounted
- Connected via stranded wires

Contact assignment



Technical data

Type	EC-FKFDE8-0.5/16
ID	6934559
Connector A	Female, M12 × 1, Straight, A-coded
Number of Pins	8
Contacts	Brass, CuZn, Gold-plated
Contact carriers	Plastic, TPU, Black
Seal	Plastic, FPM/FKM
Flange housing	Stainless Steel, 1.4404 (AISI 316L)
Mounting type	backplane mounting
Screw-in thread seal	plastic, NBR
Screw-in thread	M16 × 1.5
Connection mode	Wire connection
Mechanical lifespan	> 100 Mating cycles
Pollution degree	3
Protection class	IP67, (screwed together)
Cable length	0.5 m
Core insulation	PVC
Core cross-section	8 x 0.25 mm ²
Core colors	WH, GN, YE, GY, BN, PK, BU, RD
Electrical properties at +20 °C	
Rated voltage	30 V
Current	2 A
Insulation resistance	≥ 10 ⁸ Ω
forward resistance	≤ 5 mΩ
Mechanical and chemical properties	
Ambient temperature range (stationary)	-30 °C...+90 °C

1)	WH
2)	BN
3)	GN
4)	YE
5)	GY
6)	PK
7)	BU
8)	RD

Technical data

Approvals

CE
