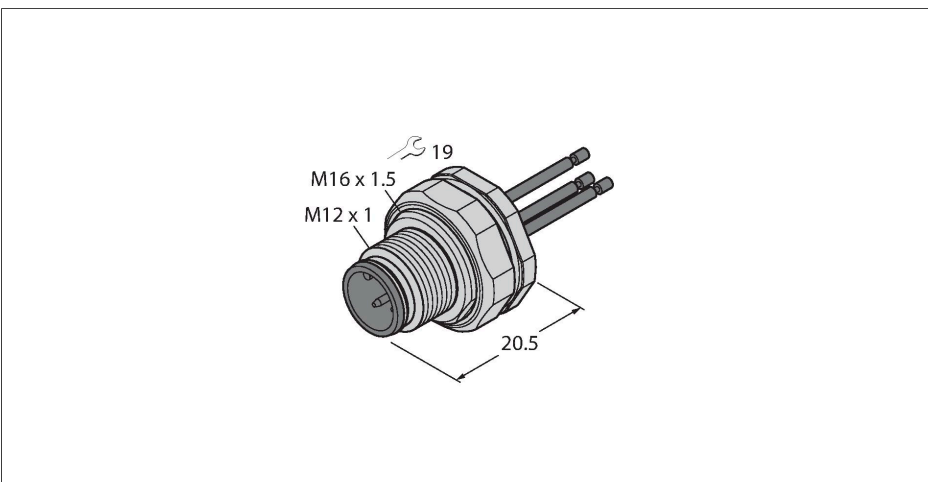


# EC-FSFD12-0.5/16

– male flange with strands, rear-mounted



## Features



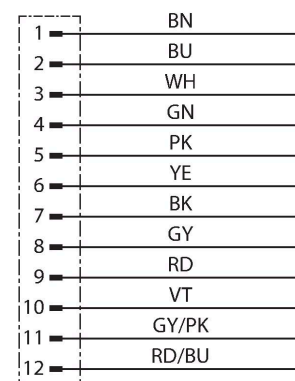
- M12 × 1 male receptacle
- Protection class IP67
- Rear-mounted
- Connected via stranded wires

## Contact assignment



## Technical data

Type	EC-FSFD12-0.5/16
ID	6934572
Connector A	Male, M12 × 1, Straight, A-coded
Number of Pins	12
Contacts	Brass, CuZn, Gold-plated
Contact carriers	Plastic, PA GF, Black
Flange housing	Brass, CuZn, Nickel-plated
Mounting type	backplane mounting
Screw-in thread seal	plastic, NBR
Screw-in thread	M16 × 1.5
Connection mode	Wire connection
Mechanical lifespan	> 100 Mating cycles
Pollution degree	3
Protection class	IP67, (screwed together)
Cable length	0.5 m
Core insulation	PVC
Core cross-section	12 x 0.14 mm <sup>2</sup>
Core colors	BN, BU, WH, GN, PK, YE, BK, GY, RD, VT, GY/PK, RD/BU
<b>Electrical properties at +20 °C</b>	
Rated voltage	30 V
Current	1.5 A
Insulation resistance	≥ 10 <sup>8</sup> Ω
forward resistance	≤ 5 mΩ
<b>Mechanical and chemical properties</b>	
Ambient temperature range (stationary)	-30 °C...+90 °C



## Technical data

Approvals

CE

---