

Recessed Cover

Frame & Cover

Product Description

Recessed covers offer a high-quality, safe to use, value for money solution which when installed offers security of the assets below. Available in a wide range of standard and bespoke cover sizes, Recessed multi-cover units offer options in bespoke

Example

Frame Details

Clear Opening:	1200mm	x	1200mm	Frame Weight:	131kg
External Dimensions:	1300mm	x	1300mm	Crosspiece(s):	3 x 230mm x 144mm x 634mm 12.1kg
Including Flange:	1360mm	x	1360mm	Crosspiece(s) Weight:	1 x 89mm x 252mm x 1284mm 25.8kg
Depth:	106mm			Beam Weight:	
Tray Depth:	94mm External, 88mm Internal				
	to accept 80mm pavior				

Including Beam

Pocket: 258mm

Cover Details

Cover Type: 6 x 639mm x 423mm
 Weight: 22.1kg

Overall Details

Product Code: FCRSMP-12001200-1000*B**
 Total Weight: 6 263kg

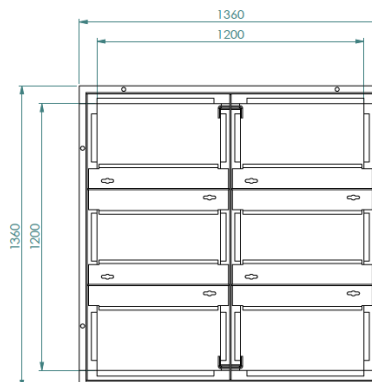


Installation

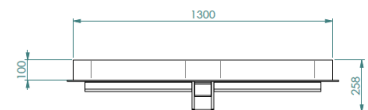
The product is designed for use in footways, pedestrian areas and comparable areas, car parks or parking decks (EN124 Class A15-B125). A steel mesh is added to the bottom surface of the tray to help adhesion between tray, epoxy resin and block pavior

Key Features

- Easy slide out covers
- No inherent scrap value
- Anti-slip surface



Recessed cross-section top view



Recessed cross-section detail