



Security Products

General guide

With more and more reliance being placed on data communications, the problem of securing networks is of increasing importance to service providers. The more extensive use of fibre in underground networks means that cost of repair following acts of vandalism is increasing. This cost is not limited however to the physical damage but the equally important loss of customer confidence and credibility which follows a loss of service.

Følsgaard has a wide range of experience in the manufacture of footway covers for underground chambers and has over recent years identified the need to secure these chambers. As a result the company has developed a range of options to meet a variety of threats.

The company has two main product ranges namely Lockable Covers and Secondary Security Systems.

Lockable Footway Covers

This system is suitable to deter acts of vandalism and consists of a spring loaded captive bolt which is fitted through a steel collar cast into the cover. The M10 security bolt, which is produced from stainless steel, has a specially machined head which can only be opened with a matching key.

A stainless steel turnbuckle attached to the bolt and fitted into the cover leaf is then swung into the frame to secure the cover in position. The mechanism is spring loaded to maintain tension on the lock arrangement.

The whole locking arrangement is protected from the ingress of dirt etc by a removable plastic cap.



System Features

- Provides overt security whilst being quick to access with the correct key.
- Suitable for retrofit into existing frames without any need for reinstatement.
- All components are manufactured in stainless steel for long life
- A range of key designs are available



Security Products

General guide

Secondary Security Covers

This award winning design was developed to provide enhanced network security protection from vandals and criminals.

The system consists of three folded steel plates which are supported on steel angles bolted to the ends of the chamber and secured in place by means of a locking bar and padlock. The padlock is itself protected from attack by a further steel plate.

Speed of installation is just one of the major advantages of the Security System. With only eight holes to be drilled on site, the chamber can be opened, the system fitted and the access covers replaced within twenty minutes.

The system has been independently tested to Category C of Loss Prevention Board Standard 1175 and has resisted prolonged attack using heavy hand tools for a period in excess twenty minutes. The system has also been successfully fire tested by one of its major customers, BT.

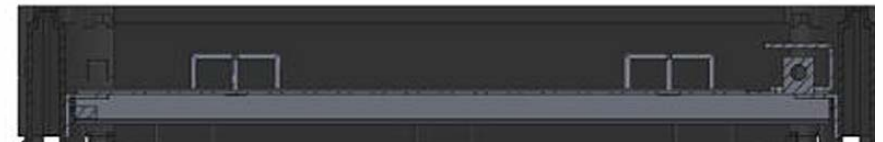
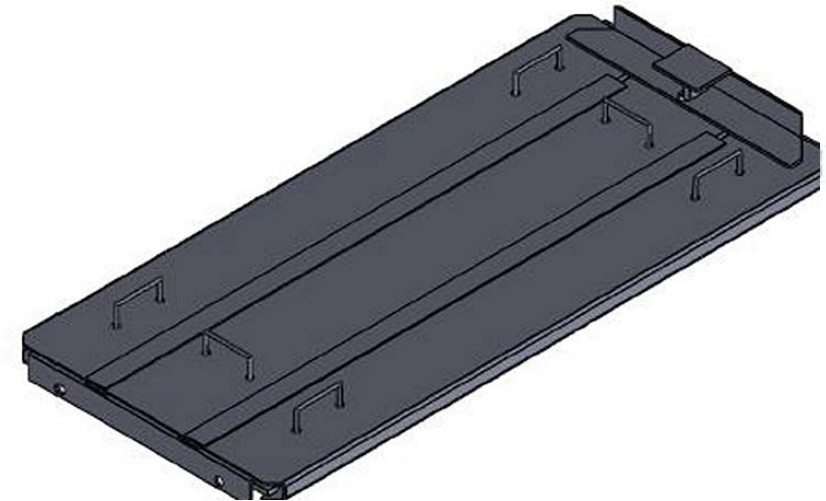
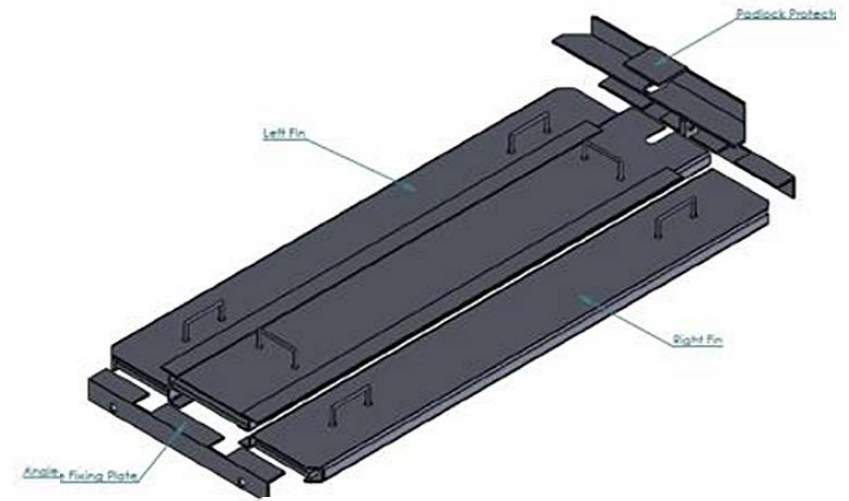
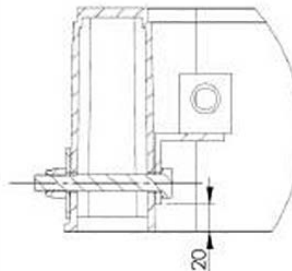
System Features

- Installed in under 20 minutes
- All components are galvanised to EN1461 for long life
- The system can be easily retrofitted to any footway or carriageway chamber
- Minimum clear opening intrusion



3-PLATE SUB-SECURITY COVER FITTING GUIDE

1. The sub security systems are supplied in either single or multiple plate form. All of the systems consist of 2 support angles (one with a locking tab), a locking bar and the security plate/s.
2. To fit into the support angles, 4 M12 bolts (length varies depending on the chamber being used), over size washers (50x50x3mm) and nyloc nuts are required, along with a drill fitted with a 14mm drill bit.
3. Generally the support angles are fitted to the short sides of the chamber. Mark the centre of the support angle and the centre of the inside of the chamber; this is to help line up the chamber and the angle.
4. Support the angle so that it is 20mm from the bottom of the top chamber section, and checking that the angle is situated centrally, mark the holes to be drilled.
5. Drill the holes completely through the chamber wall.
6. Bolt the angle to the inside of the chamber; tighten the bolts until the angle is firmly held in position. The nut should be to the outside of the chamber.
7. Fit the plate/s. In this instance the two outer most plates are fitted first followed by the centre plate.
8. The locking bar is then fitted.
9. Følsgaard does not supply the padlock.





Chamber Security

Why use it?

- Protect vulnerable cable networks against damage or theft
- Can be secured using end user-specific locking arrangements

There are two options for securing chambers against unauthorised access:



Cover Locking



Sub Security Locking